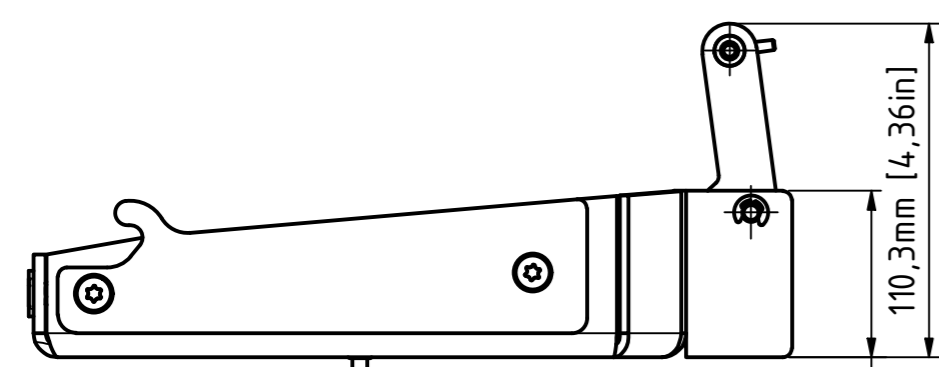
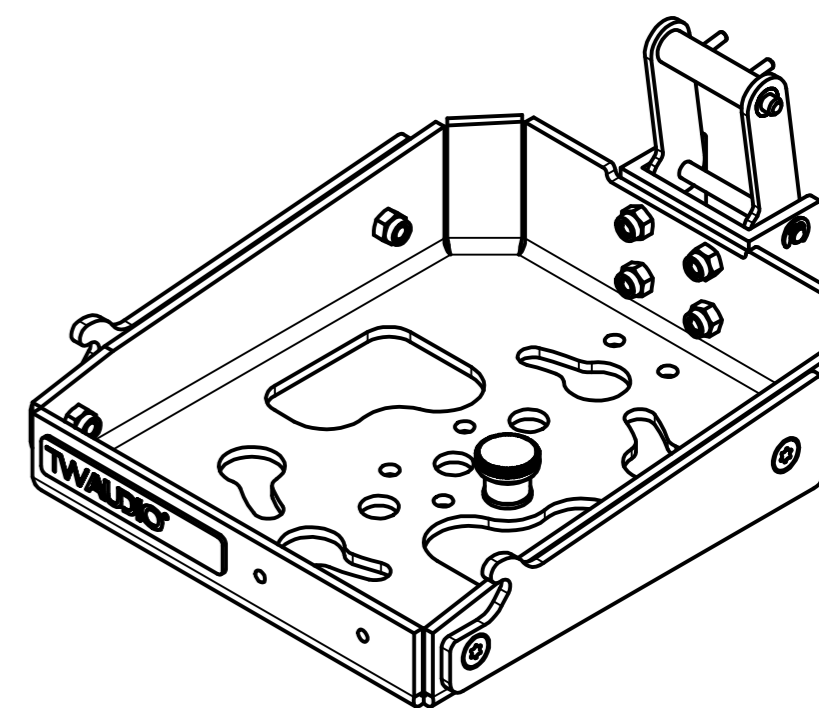
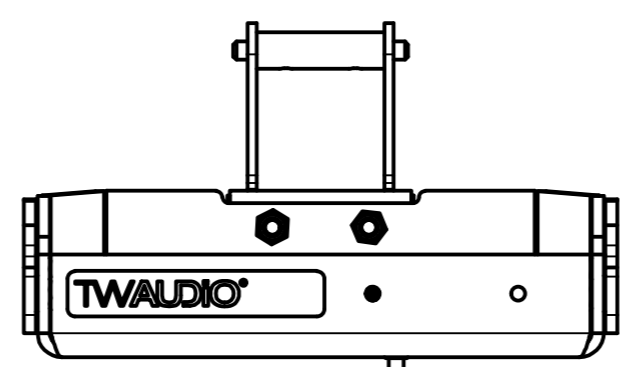


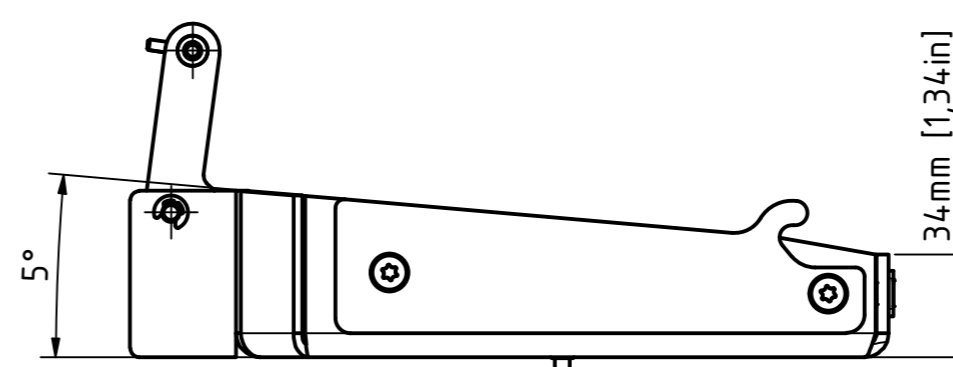
bottom view



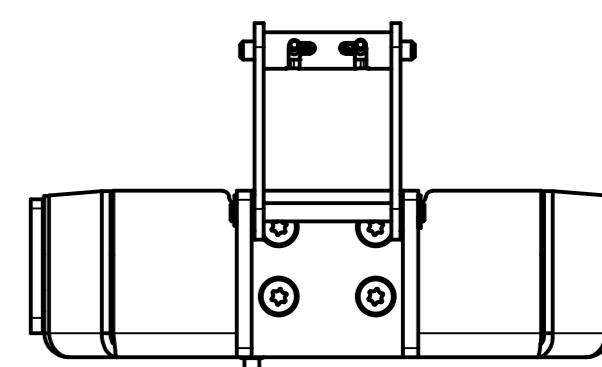
right view



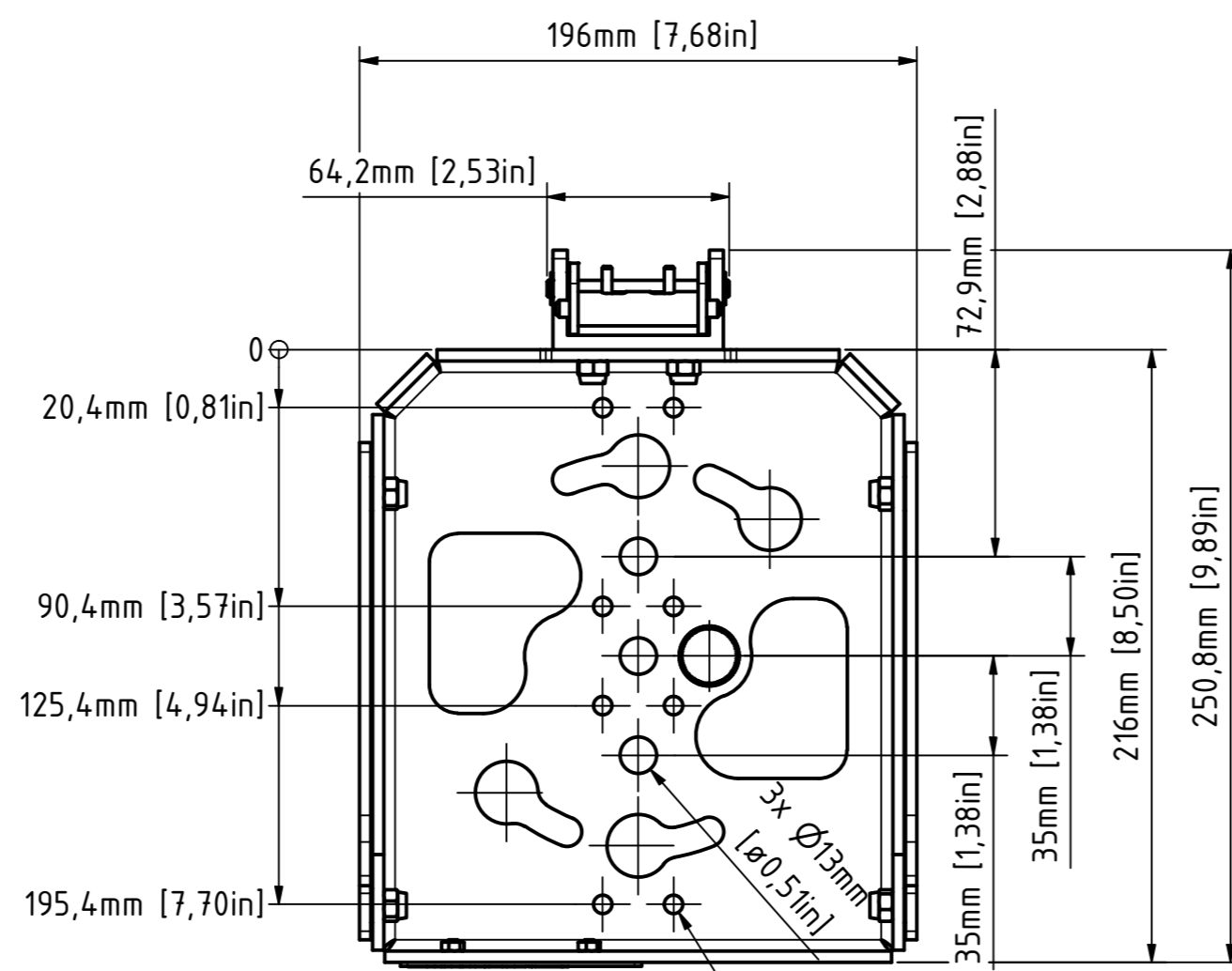
front view



left view



rear view



top view

1	Address modified	09.12.2021	Heike Konrad
rev. no.	description	date	modified by
<b>revision process</b>			
<b>TWAUDIO</b> Karl-Hofer-Str. 42 14163 Berlin www.twaudio.de		scale: 1:2,5	
All rights to this drawing reserved in accordance with ISO 16016. Copying and distribution by manufacturer's permission only.		weight: 2,5 kg [5,5 lbs]	
general tolerance ISO 2768-mK ISO 13920-BF ISO 9013-IIA/K according to ISO 8015		document type: overview drawing	order number:
edges according to ISO 13715 surfaces (Ra) array 2 array 3 DIN ISO 1302		status type: released	type: Baseplate E6 - BPE6
		drawn: 12.09.2019 Heike Konrad	date name
		checked: 09.12.2021 Heike Konrad	constructed: 02.08.2019 S. Freudenberger
		approved: 09.12.2021 Heike Konrad	drawing number: TWA-BPE6-0001
			revision no: 1 sheet: 1/1